



## 6 TON WIDE PULLER SET

Product #: J4291B

- ▶ Designed for pulling machine parts up to 8" in diameter with reach depths to over 7".
- ▶ Makes over 12 different adjustable and straight jaw pullers.

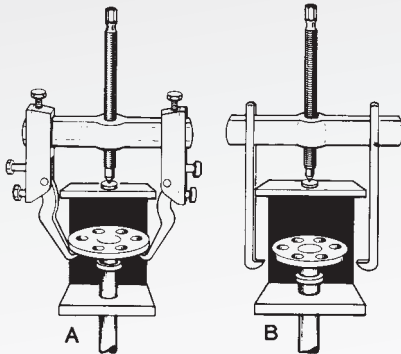
Contents	Description	Qty.
J4205S	Forcing Screw	1
J4022T	Standard Detachable Tip	1
J4208CA	2-Way/3-Way Crossarm, 7" Long	1
J4027	Narrow Jaw	3
J4026A	Dual-Reach Jaws	3
J4021S	Spring Clip	3
J4211BA	Adjustable Jaw Block Assembly	3
J4206SC	Slotted Crossarm, 2-Way	1
J4028	Cap Screw, 3/8"-16 UNC x 3"	2
J4332	Bearing Separator, 4-3/8" Capacity	1
J4055H	5 lbs Slide Hammer	1
J4260R	T-Handles Rod, 24" Long	1

Weight (lbs): 29.00

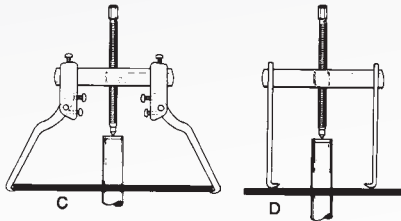


GENERAL PULLER SETS

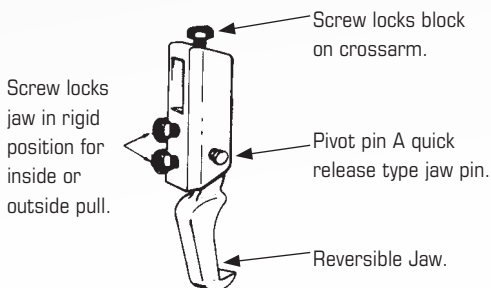
### OPERATIONAL FEATURES - 6 TON PROTO-EASE™ WIDE PULLERS



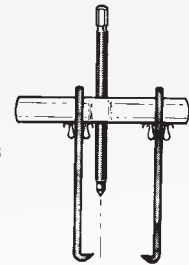
Adjustable jaws (A) reach around obstructions to grip parts inaccessible to straight jaws (B).



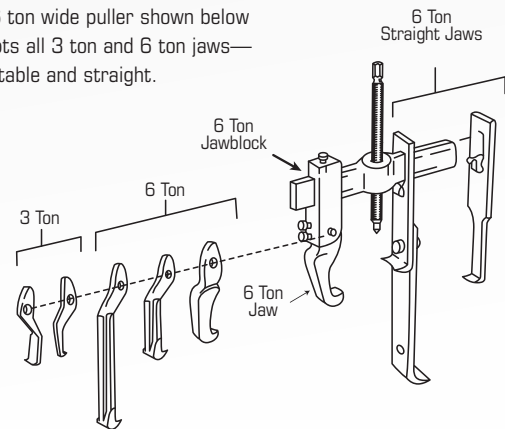
Adjustable jaws (C) have greater reach capabilities than straight jaws (D).



Jaws slide into place along crossarm and may be positioned at unequal distances from the forcing screw for unusual pulling applications.



The 6 ton wide puller shown below accepts all 3 ton and 6 ton jaws—adjustable and straight.



NOTE: Tonnage ratings do not apply when: 1) using jaw blocks with lock screws facing inboard (see drawing C above), 2) jaw angle exceeds 7° or 3) lighter adjustable jaws are used in heavier jaw blocks.